

SAVE THESE INSTRUCTIONS

NOTE: Check ALL parts for shipping damage. In case of shipping damage, DO NOT use. Contact Dealer/Carrier for further instructions.

Safety Summary

To ensure the safe and proper installation of the Floor Base and Fixed Trapeze, these instructions **MUST** be followed:

⚠ WARNING

DO NOT install this equipment without first reading and understanding this instruction sheet. If you are unable to understand the warnings, cautions and instructions, contact a healthcare professional, dealer or technical personnel if applicable, before attempting to install this equipment - otherwise, injury or damage may occur.

The Fixed Trapeze **MUST ONLY** be installed onto beds with metal framed headboards.

Invacare products are specifically designed and manufactured for use in conjunction with Invacare accessories. Accessories designed by other manufacturers have not been tested by Invacare and are not recommended for use with Invacare products.

The Fixed Trapeze used in conjunction with a bed, can assist an individual weighing up to 250 lbs. (114 kg.). The Fixed Trapeze is designed to provide support, increase stability and assist the user when repositioning himself/herself in bed.

Use the trapeze as an assistive device only. The trapeze is not designed to support the total body weight of an individual or to be used as an assist device when transferring into or out of a bed.

⚠ INSTALLATION WARNINGS

After **ANY** adjustments, repair or service and **BEFORE** use, make sure that all attaching component parts are secure.

DO NOT INSTALL OR ADJUST TRAPEZE OF AN OCCUPIED BED.

DO NOT attach swivel trapezes to the floor base. This may cause the floor base to tip over, causing injury to the patient and/or assistants.

Floor Base **MUST** be positioned under the bed at the headboard position.

Ensure that the snap buttons fully protrude through the adjustment hole of the floor leg assembly. This ensures that the Floor Base is properly installed and securely locked in position.

⚠ ACCESSORIES WARNING

Invacare products are specifically designed and manufactured for use in conjunction with Invacare accessories. Accessories designed by other manufacturers have not been tested by Invacare and are not recommended for use with Invacare products.

For more information regarding Invacare products, parts, and services, please visit www.invacare.com

Assembling the Floor Base

NOTE: For this procedure, refer to FIGURE 1.

1. Install the "A" frame into the floor base assembly with the snap buttons facing the short length of the floor base.
2. Depress the snap button on one (1) leg of the "A" frame and slide it into the floor base assembly until an audible "click" is heard.
3. Repeat STEP 2 for the opposite side.

NOTE: Ensure that the snap buttons fully protrude through the adjustment hole of the floor leg assembly. This ensures that the Floor Base is properly installed and securely locked in position.

4. Attach trapeze to floor base/bed end.
Refer to [Attaching Trapeze to Floor Base/Bed End](#).

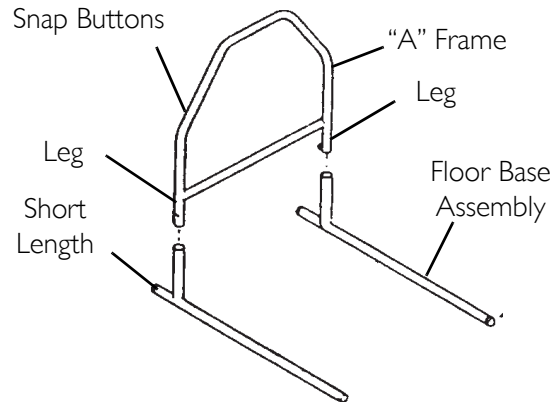


FIGURE 1 Assembling the Floor Base

Attaching Trapeze to Floor Base/Bed End

NOTE: For this procedure, refer to FIGURE 2.

1. Perform one (1) of the following:
 - Floor Base
 - i. Position the lower bed bracket in the center of the bottom rail with the tubular hook facing DOWN.
 - ii. Tighten wing nuts to secure lower bed bracket onto bottom rail.
 - Bed End
 - i. Position the lower bed bracket in the center of the bottom bed frame with the tubular hook facing UP.
 - ii. Tighten wing nuts to secure lower bed bracket onto bottom bed frame.

NOTE: Position the lower bed bracket in the center of the bottom bed frame. If interference from the bed drive shaft, the trapeze brackets **MUST** be positioned as close to the center of the bed as possible (FIGURE 2).

2. Place the trapeze on a flat surface for easier installation of the upper bed bracket.
3. Loosen wing nuts on the upper bed bracket and slide the bracket approximately $\frac{3}{4}$ of the way up on the offset bar.
4. Hand tighten the wing nuts just enough to hold the upper bed bracket in place on the offset bar.
5. Install trapeze assembly into the socket of the lower bed bracket

6. Position the tubular hook of the upper bed bracket so it rests on the top rail of floor base/bed end.
7. Securely tighten the wing nuts to secure the upper bed bracket to the top rail of the floor base/bed end.

NOTE: When using the floor base in conjunction with a bed, the long legs of the floor base should slide under the bed.

8. Adjust the height and/or position of the trapeze. Refer to Adjusting the Grab Bar on page 4.

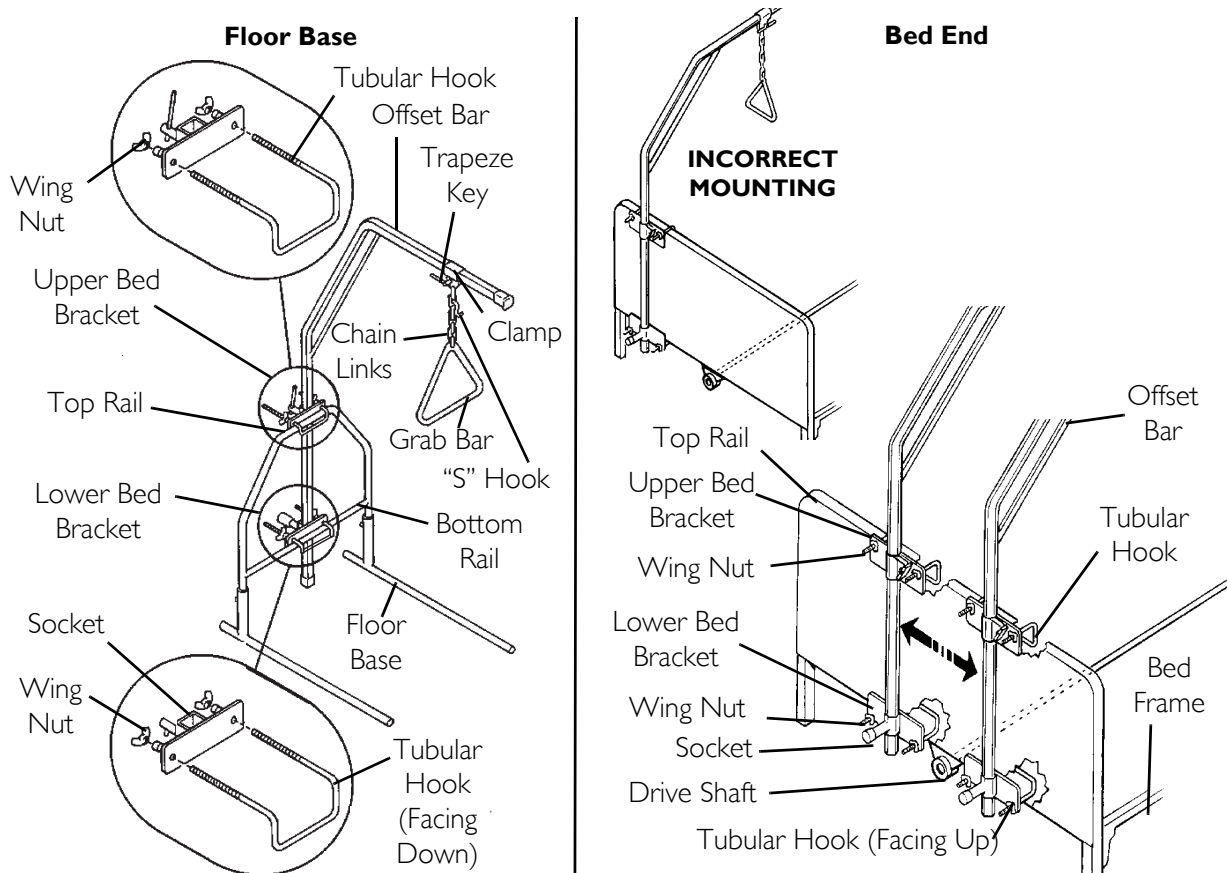


FIGURE 2 Attaching Trapeze to Floor Base/Bed End

Adjusting the Grab Bar

NOTE: For this procedure, refer to FIGURE 2.

Height

1. Position any of the lower chain links onto the "S" hook.

Position

1. Loosen trapeze key by turning counterclockwise.
2. Slide the clamp to desired position on the offset bar.
3. Secure the trapeze clamp to the offset bar by turning the key clockwise.

Storing the Floor Base

NOTE: For this procedure, refer to FIGURE 3.

1. Remove the trapeze from the floor base.
2. Depress one (1) snap button on floor leg assembly and lift UP on the "A" frame until the snap button clears the top of the floor leg assembly.
3. Rotate one (1) leg of the floor base assembly 270° clockwise away from the other leg.
4. Rotate the remaining leg of the floor base assembly 90° clockwise towards the other leg.

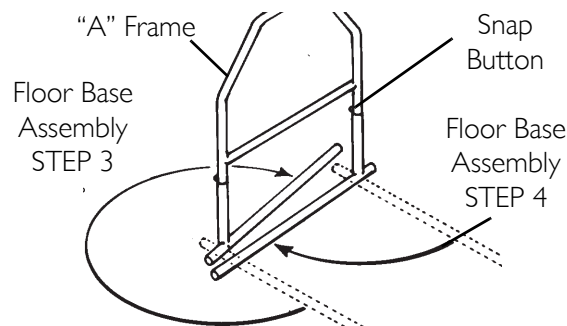


FIGURE 3 Storing the Floor Base

NOTES

NOTES

LIMITED WARRANTY

PLEASE NOTE: THE WARRANTY BELOW HAS BEEN DRAFTED TO COMPLY WITH FEDERAL LAW APPLICABLE TO PRODUCTS MANUFACTURED AFTER JULY 4, 1975.

This warranty is extended only to the original purchaser/user of our products.

This warranty gives you specific legal rights and you may also have other legal rights which vary from state to state.

Invacare warrants its product to be free from defects in materials and workmanship for the lifetime of the product for the original purchaser. If within such warranty period any such product shall be proven to be defective, such product shall be repaired or replaced, at Invacare's option. This warranty does not include any labor or shipping charges incurred in replacement part installation or repair of any such product. Invacare's sole obligation and your exclusive remedy under this warranty shall be limited to such repair and/or replacement.

For warranty service, please contact the dealer from whom you purchased your Invacare product. In the event you do not receive satisfactory warranty service, please write directly to Invacare at the address on the back cover. Provide dealer's name, address, model number, and the date of purchase, indicate nature of the defect and, if the product is serialized, indicate the serial number.

Invacare corporation will issue a return authorization. the defective unit or parts must be returned for warranty inspection using the serial number, when applicable, as identification within thirty (30) days of return authorization date. do not return products to our factory without our prior consent. c.o.d. shipments will be refused; please prepay shipping charges.

LIMITATIONS AND EXCLUSIONS: THE WARRANTY SHALL NOT APPLY TO PROBLEMS ARISING FROM NORMAL WEAR OR FAILURE TO ADHERE TO THE ENCLOSED INSTRUCTIONS. IN ADDITION, THE FOREGOING WARRANTY SHALL NOT APPLY TO SERIAL NUMBERED PRODUCTS IF THE SERIAL NUMBER HAS BEEN REMOVED OR DEFACED; PRODUCTS SUBJECTED TO NEGLIGENCE, ACCIDENT, IMPROPER OPERATION, MAINTENANCE OR STORAGE; OR PRODUCTS MODIFIED WITHOUT INVACARE'S EXPRESS WRITTEN CONSENT INCLUDING, BUT NOT LIMITED TO: MODIFICATION THROUGH THE USE OF UNAUTHORIZED PARTS OR ATTACHMENTS: PRODUCTS DAMAGED BY REASON OF REPAIRS MADE TO ANY COMPONENT WITHOUT THE SPECIFIC CONSENT OF INVACARE; PRODUCTS DAMAGED BY CIRCUMSTANCES BEYOND INVACARE'S CONTROL; PRODUCTS REPAIRED BY ANYONE OTHER THAN AN INVACARE DEALER, SUCH EVALUATION SHALL BE SOLELY DETERMINED BY INVACARE.

THE FOREGOING EXPRESS WARRANTY IS EXCLUSIVE AND IN LIEU OF ALL OTHER EXPRESS WARRANTIES WHATSOEVER, WHETHER EXPRESS OR IMPLIED, INCLUDING THE IMPLIED WARRANTIES OF MERCHANTABILITY AND FITNESS FOR A PARTICULAR PURPOSE AND THE SOLE REMEDY FOR VIOLATIONS OF ANY WARRANTY WHATSOEVER, SHALL BE LIMITED TO REPAIR OR REPLACEMENT OF THE DEFECTIVE PRODUCT PURSUANT TO THE TERMS CONTAINED HEREIN. THE APPLICATION OF ANY IMPLIED WARRANTY WHATSOEVER SHALL NOT EXTEND BEYOND THE DURATION OF THE EXPRESS WARRANTY PROVIDED HEREIN. INVACARE SHALL NOT BE LIABLE FOR ANY CONSEQUENTIAL OR INCIDENTAL DAMAGES WHATSOEVER.

THIS WARRANTY SHALL BE EXTENDED TO COMPLY WITH STATE/PROVINCIAL LAWS AND REQUIREMENTS.



Yes, you can.®

Invacare Corporation

www.invacare.com

USA

One Invacare Way
Elyria, Ohio USA
44036-2125
800-333-6900

Canada

570 Matheson Blvd E Unit 8
Mississauga Ontario
L4Z 4G4 Canada
800-668-5324

All rights reserved. Trademarks are identified by the symbols [™] and [®]. All trademarks are owned by or licensed to Invacare Corporation unless otherwise noted.

© 2008 Invacare Corporation

Part No 1013153

Rev J- 10/08